



Photo View

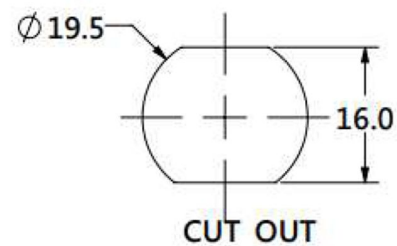
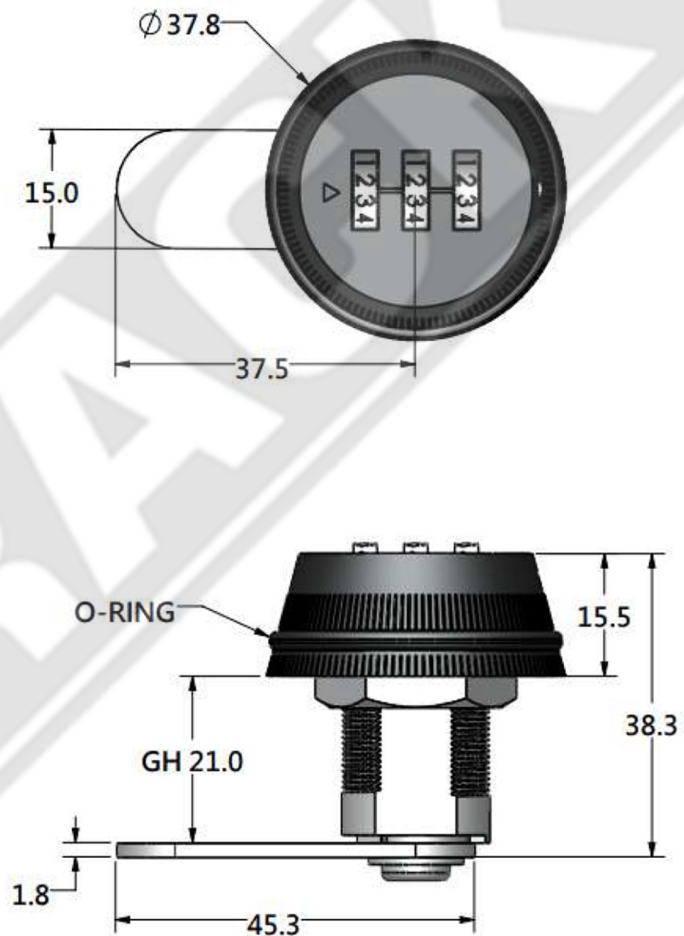


3D Rendered View



For Product Step File or 3D Model Send a Request Mail To [info@nrack.com](mailto:info@nrack.com)

## Numerical Lock



### MS 7100Z-1-1

- Material: Zinc Die Casting Body, Insert Steel Cam
- Finish: Electrophoresis Black
- Panel Thickness: 1-8mm